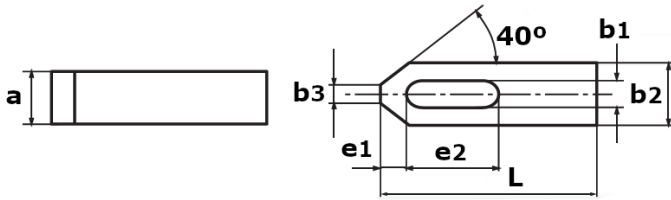
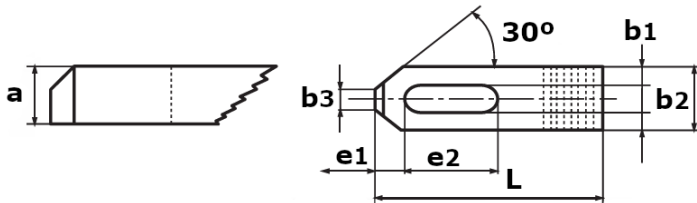
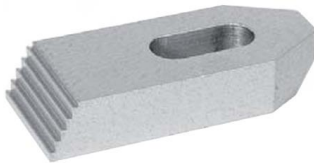


### BRIDA PLANA DIN 6314



| REF:        | b1 | L   | a  | M            | b2  | b3 | e1  | e2  |
|-------------|----|-----|----|--------------|-----|----|-----|-----|
| 45603107050 | 7  | 50  | 10 | M-6          | 20  |    | 10  | 20  |
| 45603109060 | 9  | 60  | 12 | M-8          | 25  | 10 | 13  | 22  |
| 45603111080 | 11 | 80  | 15 | M-10         | 30  | 12 | 15  | 30  |
| 45603114080 | 14 | 80  | 20 | M-12         | 40  | 14 | 21  | 30  |
| 45603114100 |    | 100 |    | 40           |     |    |     |     |
| 45603114125 |    | 125 |    | 50           |     |    |     |     |
| 45603118100 | 18 | 100 | 25 | M-16         | 50  | 18 | 26  | 40  |
| 45603118125 |    | 125 |    | 45           |     |    |     |     |
| 45603118160 |    | 160 |    | 65           |     |    |     |     |
| 45603122160 | 22 | 160 | 30 | M-20         | 60  | 22 | 30  | 60  |
| 45603122200 |    | 200 |    | 80           |     |    |     |     |
| 45603122250 |    | 250 |    | 100          |     |    |     |     |
| 45603126160 | 26 | 160 | 30 | M-24         | 70  | 26 | 35  | 60  |
| 45603126200 |    | 200 |    |              |     |    |     | 80  |
| 45603126250 |    | 250 |    |              |     |    |     | 105 |
| 45603134250 | 34 | 250 | 40 | M-30         | 80  | 34 | 45  | 100 |
| 45603134315 |    | 315 |    |              |     |    |     | 130 |
| 45603142400 | 42 | 400 | 60 | M-36<br>M-42 | 100 | 43 | 100 | 150 |

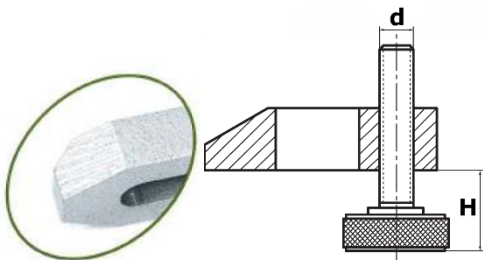
### BRIDA DENTADA DIN 6314 Z



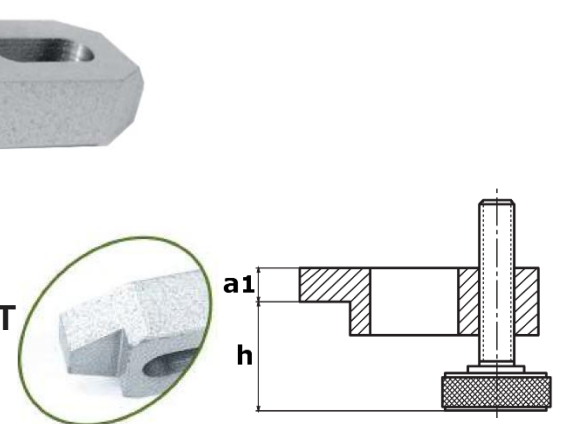
| REF:        | b1 | L   | a  | M    | b2 | b3 | e1 | e2 |
|-------------|----|-----|----|------|----|----|----|----|
| 45603207050 | 7  | 50  | 10 | M-6  | 20 | 8  | 10 | 20 |
| 45603209060 | 9  | 60  | 12 | M-8  | 25 | 10 | 13 | 22 |
| 45603211080 | 11 | 80  | 15 | M-10 | 30 | 12 | 15 | 30 |
| 45603214100 | 14 | 100 | 20 | M-12 | 40 | 14 | 21 | 40 |
|             |    |     |    | M-14 |    |    |    |    |
| 45603218125 | 18 | 125 | 25 | M-16 | 50 | 18 | 26 | 45 |
|             |    |     |    | M-18 |    |    |    |    |
| 45603222160 | 22 | 160 | 30 | M-20 | 60 | 22 | 30 | 60 |
|             |    |     |    | M-22 |    |    |    |    |
| 45603226200 | 26 | 200 | 30 | M-24 | 70 | 26 | 35 | 80 |

### BRIDA REGULABLE

#### DIN 6314 T



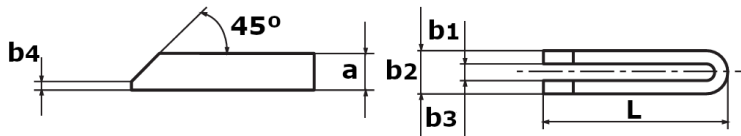
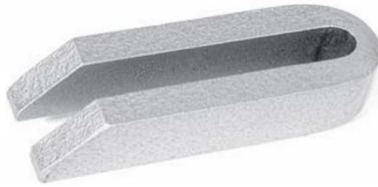
#### DIN 6314 AT



| REF:        | b1 | L   | d    | M    |      | M    |
|-------------|----|-----|------|------|------|------|
|             |    |     |      | Min. | Max. |      |
| 45603311080 | 11 | 80  | M-10 | 8    | 27   | M-10 |
| 45603314100 | 14 | 100 | M-12 | 10   | 34   | M-12 |
|             |    |     |      | 10   | 33   | M-14 |
| 45603318125 | 18 | 125 | M-16 | 13   | 41   | M-16 |
|             |    |     |      | 13   | 40   | M-18 |
| 45603322160 | 22 | 160 | M-20 | 16   | 55   | M-20 |
|             |    |     |      | 16   | 53   | M-22 |
| 45603326200 | 26 | 200 | M-24 | 20   | 60   | M-24 |

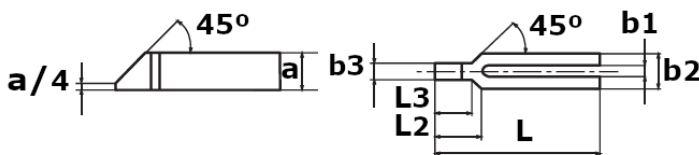
| REF:        | b1 | L   | a1 | M    |      | M    |
|-------------|----|-----|----|------|------|------|
|             |    |     |    | Min. | Max. |      |
| 45603411080 | 11 | 80  | 12 | 11   | 30   | M-10 |
| 45603414100 | 14 | 100 | 14 | 16   | 40   | M-12 |
|             |    |     |    | 16   | 39   | M-14 |
| 45603418125 | 18 | 125 | 16 | 22   | 50   | M-16 |
|             |    |     |    | 22   | 49   | M-18 |
| 45603422160 | 22 | 160 | 20 | 26   | 65   | M-20 |
|             |    |     |    | 26   | 63   | M-22 |

**BRIDA HORQUILLA**  
**DIN 6315**



| REF:        | b1 | L   | M    | a  | b2  | b3 | b4 |
|-------------|----|-----|------|----|-----|----|----|
| 45603507060 | 7  | 60  | M-6  | 12 | 12  | 6  | 3  |
| 45603509060 | 9  | 80  | M-8  | 15 | 25  | 8  | 4  |
| 45603511080 | 11 | 100 | M-10 | 20 | 31  | 10 | 5  |
| 45603514125 | 14 | 125 | M-12 | 25 | 38  | 12 | 6  |
| 45603514160 |    | 160 | M-14 |    |     |    |    |
| 45603514200 |    | 200 |      |    |     |    |    |
| 45603518160 | 18 | 160 | M-16 | 30 | 48  | 15 | 8  |
| 45603518200 |    | 200 | M-18 |    |     |    |    |
| 45603518250 |    | 250 |      |    |     |    |    |
| 45603522200 | 22 | 200 | M-20 | 40 | 52  | 15 | 10 |
| 45603522250 |    | 250 | M-22 |    | 62  | 20 |    |
| 45603522315 |    | 315 |      |    |     |    |    |
| 45603522500 |    | 500 |      |    |     |    |    |
| 45603526200 | 26 | 200 | M-24 | 40 | 66  | 20 | 10 |
| 45603526250 |    | 250 |      |    |     |    |    |
| 45603526315 |    | 315 |      |    |     |    |    |
| 45603526500 |    | 500 |      |    |     |    |    |
| 45603534250 | 34 | 250 | M-30 | 50 | 74  | 20 | 12 |
| 45603534315 |    | 315 |      |    |     |    |    |
| 45603534400 |    | 400 |      |    |     |    |    |
| 45603534600 |    | 600 |      |    |     |    |    |
| 45603542400 | 42 | 400 | M-36 | 60 | 100 | 30 | 12 |
| 45603542600 |    | 600 |      |    |     |    |    |

**BRIDA CON NARIZ**  
**DIN 6315 GN**



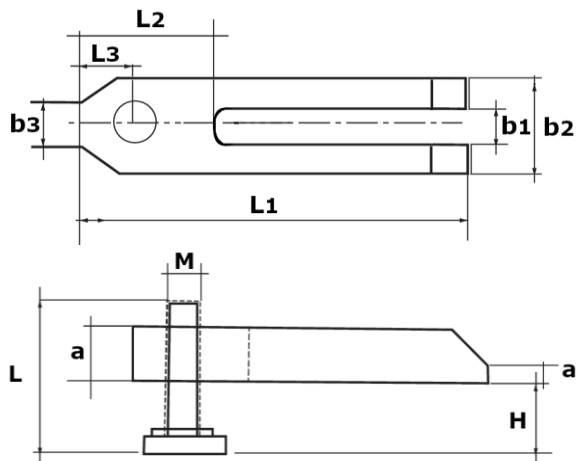
| REF:        | b1 | L    | a  | M    | b2 | b3 | L1 | L3 |
|-------------|----|------|----|------|----|----|----|----|
| 45603609100 | 9  | 100  | 15 | M-8  | 30 | 16 | 32 | 18 |
| 45603611125 | 11 | 125  | 20 | M-10 | 30 | 20 | 38 | 24 |
| 45603614160 | 14 | 160  | 25 | M-12 | 40 | 24 | 47 | 30 |
| 45603614200 |    | M-14 |    |      |    |    |    |    |
| 45603618160 | 18 | 160  | 30 | M-16 | 50 | 28 | 57 | 36 |
| 45603618200 |    | 200  |    | M-18 |    |    |    |    |
| 45603618250 |    | 250  |    |      |    |    |    |    |
| 45603622200 | 22 | 200  | 40 | M-20 | 60 | 35 | 68 | 45 |
| 45603622250 |    | 250  |    | M-22 |    |    |    |    |
| 45603622315 |    | 315  |    |      |    |    |    |    |
| 45603626250 | 26 | 250  | 40 | M-24 | 70 | 43 | 83 | 56 |
| 45603626315 |    | 315  |    |      |    |    |    |    |
| 45603634315 | 34 | 315  | 50 | M-30 | 80 | 50 | 88 | 56 |
| 45603634400 |    | 400  |    |      |    |    |    |    |

**BRIDA CON ESPIGA REDONDA**  
**DIN 6315 C**



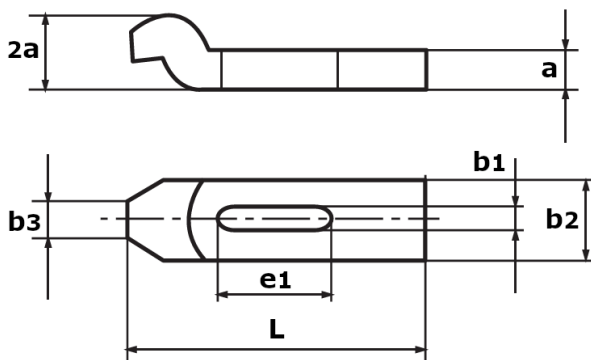
| REF:        | b1 | L   | M         | a  | b2 | d  |
|-------------|----|-----|-----------|----|----|----|
| 45603707080 | 7  | 80  | M-6       | 15 |    | 12 |
| 45603709100 | 9  | 100 | M-8       | 15 | 30 | 12 |
| 45603711125 | 11 | 125 | M-10      | 20 |    | 16 |
| 45603714160 | 14 | 160 | M-15 M-14 | 25 | 40 | 20 |
| 45603714200 |    | 200 |           |    |    |    |
| 45603718200 | 18 | 200 | M-16 M-18 | 30 | 50 | 24 |
| 45603718250 |    | 250 |           |    |    |    |
| 45603722250 | 22 | 250 | M-20 M-22 | 40 | 60 | 30 |
| 45603722315 |    | 315 |           |    |    |    |
| 45603726250 | 26 | 250 | M-24      | 40 | 70 | 38 |
| 45603726315 |    | 315 |           |    |    |    |
| 45603734315 | 34 | 315 | M-30      | 50 | 80 | 45 |
| 45603734400 |    | 400 |           |    |    |    |

## BRIDA HORQUILLA DIN 6315 T



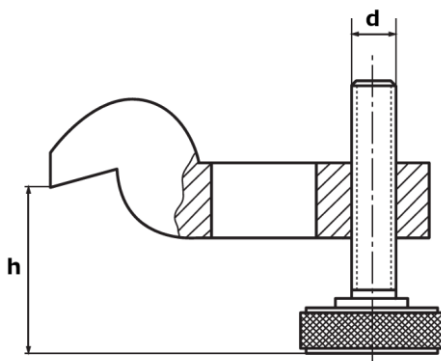
| REF:        | 6315   | b1 | b2 | b3 | L1  | L2 | L3 | a  | M  | H   |     | L   |
|-------------|--------|----|----|----|-----|----|----|----|----|-----|-----|-----|
|             |        |    |    |    |     |    |    |    |    | MAX | MIN |     |
| 45604114160 | 14X160 | 15 | 40 | 18 | 160 | 50 | 20 | 25 | 12 | 55  | 10  | 80  |
| 45604118200 | 18X200 | 19 | 50 | 20 | 200 | 60 | 22 | 30 | 16 | 75  | 13  | 105 |
| 45604118250 | 18X250 | 23 | 60 | 26 | 250 | 70 | 25 | 40 | 20 | 75  | 16  | 115 |
| 45604126250 | 26X250 | 26 | 70 | 31 | 260 | 85 | 30 | 40 | 24 | 100 | 20  | 140 |

## BRIDA ACODADA DIN 6316



| REF:        | b1 | L   | M         | b3 | b2 | a  | e1 |
|-------------|----|-----|-----------|----|----|----|----|
| 45603809080 | 9  | 80  | M-8       | 12 | 25 | 12 | 25 |
| 45603811100 | 11 | 100 | M-10      | 15 | 30 | 15 | 32 |
| 45603814125 | 14 | 125 | M-12 M-14 | 20 | 40 | 20 | 40 |
| 45603818125 | 18 | 125 | M16       | 25 | 50 | 25 | 50 |
| 45603818160 |    | 160 | M-18      |    |    |    |    |
| 45603822160 | 22 | 160 | M-20      | 30 | 60 | 30 | 70 |
| 45603822200 |    | 200 |           |    |    |    |    |
| 45603826200 | 26 | 200 | M-24      | 35 | 70 | 35 | 80 |
| 45603826250 |    | 250 |           |    |    |    |    |

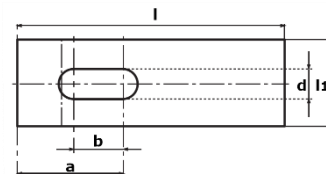
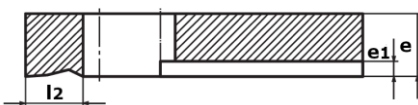
## BRIDA CON ESPIGA REDONDA DIN 6316 T



| REF:        | b1xL   | h      | d    |
|-------------|--------|--------|------|
| 45603911100 | 11x100 | 23-42  | M-10 |
| 45603914125 | 14x125 | 30-53  | M-12 |
| 45603918160 | 18x160 | 38-65  | M-16 |
| 45603922200 | 22x200 | 46-83  | M-20 |
| 45603924250 | 24x250 | 53-100 | M-24 |

## BRIDA DESLIZANTE

Acero pavonado



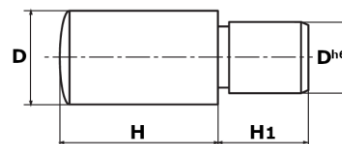
| REF:        | d  | l   | l2 | e  | a  | B  | e1  | l2 |
|-------------|----|-----|----|----|----|----|-----|----|
| 45605107040 | 7  | 40  | 16 | 10 | 17 | 10 | 3   | 10 |
| 45605107063 | 7  | 63  | 16 | 10 | 29 | 17 | 3   | 10 |
| 45605109050 | 9  | 50  | 20 | 12 | 22 | 12 | 4   | 12 |
| 45605109080 | 9  | 80  | 20 | 12 | 37 | 21 | 4   | 12 |
| 45605111063 | 11 | 63  | 25 | 16 | 28 | 16 | 4.5 | 16 |
| 45605111100 | 11 | 100 | 25 | 16 | 46 | 26 | 4.5 | 16 |

| REF:        | d  | l   | l2 | e  | a  | b  | e1 | l2 |
|-------------|----|-----|----|----|----|----|----|----|
| 45605114080 | 14 | 80  | 32 | 20 | 35 | 20 | 5  | 20 |
| 45605114125 | 14 | 125 | 32 | 20 | 58 | 33 | 5  | 20 |
| 45605116100 | 16 | 100 | 40 | 25 | 44 | 25 | 6  | 25 |
| 45605116160 | 16 | 160 | 40 | 30 | 74 | 42 | 6  | 25 |
| 45605118160 | 18 | 160 | 50 | 30 | 73 | 42 | 6  | 32 |
| 45605122200 | 22 | 200 | 60 | 30 | 92 | 52 | 8  | 40 |

## APOYO PARA BRIDA DESLIZANTE

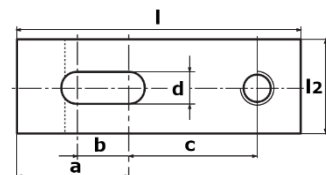
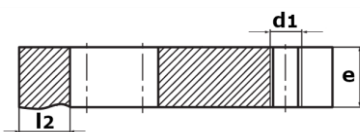
- Material: Tratado

| REF:        | D  | D <sup>h6</sup> | H1 | H  |    |    |    |
|-------------|----|-----------------|----|----|----|----|----|
| 45605208000 | 8  | 6               | 8  | 12 | 16 | 20 | 25 |
| 45605210000 | 10 | 8               | 10 | 16 | 20 | 25 | 32 |
| 45605212000 | 12 | 10              | 12 | 20 | 25 | 32 | 40 |
| 45605216000 | 16 | 14              | 16 | 25 | 32 | 40 | 50 |
| 45605220000 | 20 | 16              | 16 | 25 | 32 | 40 | 50 |



## BRIDA PARA TORNILLO

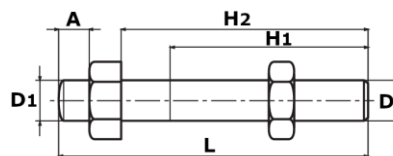
Acero pavonado



| REF:        | d  | l   | l1 | e  | a  | b  | c  | d1   | l2 |
|-------------|----|-----|----|----|----|----|----|------|----|
| 45605307063 | 7  | 63  | 16 | 10 | 29 | 17 | 28 | M-6  | 10 |
| 45605309080 | 9  | 80  | 20 | 12 | 37 | 21 | 35 | M-8  | 12 |
| 45605311100 | 11 | 100 | 25 | 16 | 46 | 26 | 44 | M-10 | 16 |
| 45605314125 | 14 | 125 | 32 | 20 | 58 | 33 | 55 | M-12 | 20 |

| REF:        | d  | l   | l2 | e  | a  | b  | c  | d1   | l2 |
|-------------|----|-----|----|----|----|----|----|------|----|
| 45605316140 | 16 | 140 | 40 | 30 | 74 | 42 | 50 | M-14 | 25 |
| 45605318160 | 18 | 160 | 50 | 30 | 73 | 42 | 71 | M-16 | 32 |
| 45605322200 | 22 | 200 | 60 | 30 | 92 | 52 | 88 | M-20 | 40 |

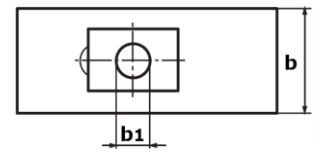
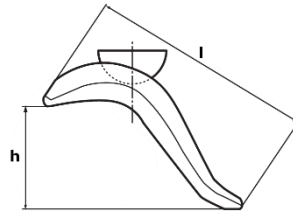
## APOYO PARA BRIDA DE TORNILLO



| REF:        | D    | D1 | L  | H1 | e1 |
|-------------|------|----|----|----|----|
| 45605406050 | M-6  | 6  | 50 | 32 | 40 |
| 45605408050 | M-8  | 8  | 50 | 32 | 40 |
| 45605410050 | M-10 | 10 | 50 | 32 | 40 |
| 45605410070 | M-10 | 10 | 70 | 32 | 56 |
| 45605412070 | M-12 | 12 | 70 | 40 | 56 |

| REF:        | D    | D1 | L   | H1 | H2  |
|-------------|------|----|-----|----|-----|
| 45605412095 | M-12 | 12 | 95  | 50 | 80  |
| 45605414100 | M-14 | 14 | 100 | 63 | 80  |
| 45605416100 | M-16 | 16 | 100 | 63 | 80  |
| 45605416120 | M-16 | 16 | 120 | 63 | 100 |
| 45605420120 | M-20 | 20 | 120 | 70 | 90  |

## BRIDA DE ALTURA VARIABLE DIN 7315

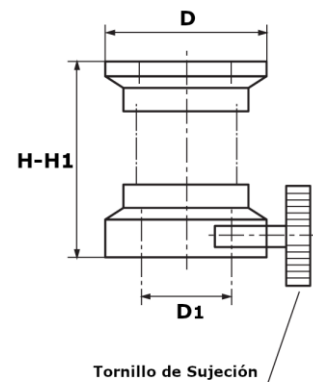


| REF:        | a  | b1 | M           | H x l  | h    |
|-------------|----|----|-------------|--------|------|
| 45605500017 |    | 17 |             | 50x138 |      |
| 45605501217 | 12 | 17 | M-12X12X125 | 50X138 | 0-50 |
| 45605501417 | 14 |    | M-12X14X125 |        |      |
| 45605501617 | 16 |    | M-16X16X160 |        |      |
| 45605501817 | 18 |    | M-16X18X160 |        | 0-75 |

| REF:        | a  | b1 | M           | H x l  | h    |
|-------------|----|----|-------------|--------|------|
| 45605500021 |    | 21 |             | 50X138 |      |
| 45605501621 | 16 | 21 | M.16X16X160 | 60X175 | 0-75 |
| 45605501821 | 18 |    | M-16X18X160 |        |      |
| 45605502021 | 20 |    | M-20X20X200 |        |      |
| 45605502221 | 22 |    | M-20X22X200 |        |      |
|             |    |    |             |        |      |

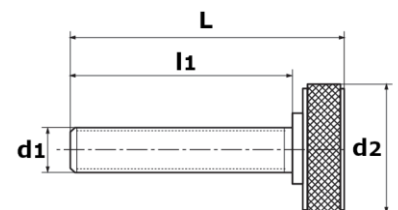
## ELEVADOR DE BRIDA

| REF:        | D  | D1   | H-H1  |
|-------------|----|------|-------|
| 45606322000 | 22 | 10.5 | 28-20 |
| 45606326000 | 26 | 14.5 | 32-22 |
| 45606332000 | 32 | 18.5 | 36-26 |
| 45606338000 | 38 | 22.5 | 40-28 |

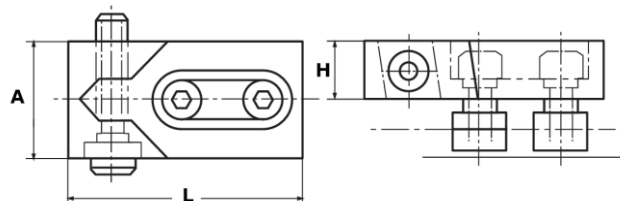
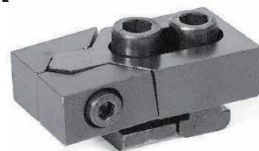


## TORNILLO DE REGULACIÓN

| REF:        | d1   | d2 | l1 | L  |
|-------------|------|----|----|----|
| 45606210050 | M-10 | 30 | 40 | 50 |
| 45606212050 | M-12 | 35 | 40 | 50 |
| 45606216070 | M-16 | 40 | 57 | 70 |
| 45606220080 | M-20 | 50 | 65 | 80 |
| 45606224090 | M-24 | 60 | 72 | 90 |



## MORDAZA PLANA



| REF:        | M       | H  | L   | A  |
|-------------|---------|----|-----|----|
| 45606110080 | M-10X12 | 20 | 80  | 40 |
| 45606112080 | M-12X14 |    |     |    |
| 45606113080 | M-12X16 |    |     |    |
| 45606114100 | M-14X16 | 25 | 100 | 50 |
| 45606116100 | M-16X18 |    |     |    |
| 45606118100 | M-16X20 |    |     |    |

| REF:        | M       | H  | L   | A  |
|-------------|---------|----|-----|----|
| 45606120140 | M-20X22 | 30 | 140 | 80 |
| 45606122140 | M-20X24 |    |     |    |
| 45606124140 | M-20X28 |    |     |    |
| 45606126140 | M-20X32 |    |     |    |