

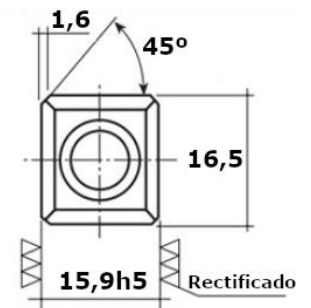
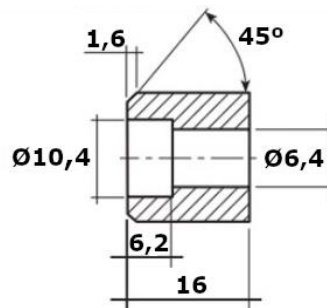
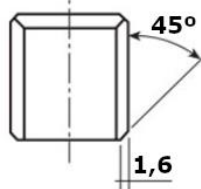
TOPES DE ARRASTRE PARA MAQUINA HERRAMIENTA

DIN 2079

Material Acero F- 151
Cementado HRC= 56/60

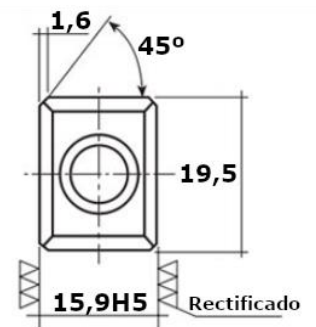
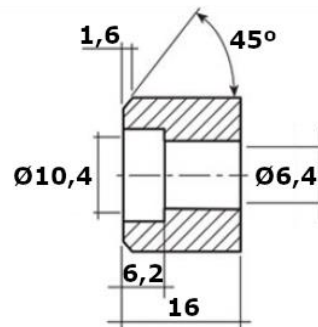
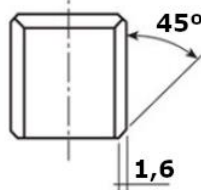
ISO 30

REF: 45609200030



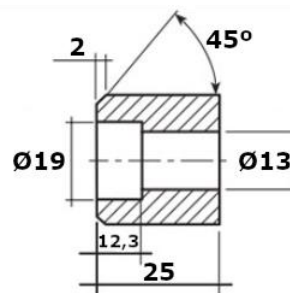
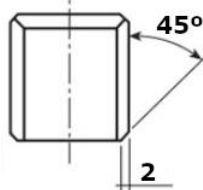
ISO 40

REF: 45609200040



ISO 50

REF: 45609200050



ISO 60

REF: 45609200060

