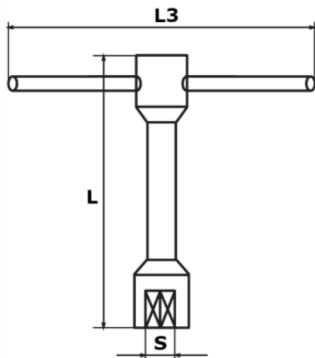


## LLAVE DE TORRETA

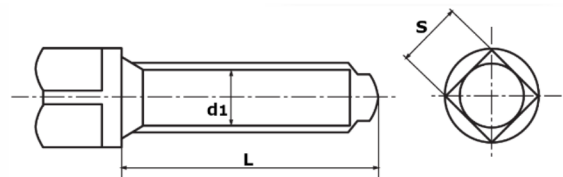
- **Material:** Tratado



REF:	S	M	L	L3
45607008000	8	M-8	105	110
45607010000	10	M-10	105	110
45607012000	12	M-12	105	110
45607014000	14	M-14	126	130
45607017000	17	M-16	126	130

## TORNILLO DE TORRETA DIN 480

- **Calidad:** 8.8



REF:	d1	L	s
45606906020	M-6	20	6
45606906030		30	
45606906040		40	
45606908020	M-8	20	8
45606908030		30	
45606908040		40	
45606908050		50	
45606910030	M-10	30	10
45606910040		40	
45606910050		50	
45606910060		60	

REF:	d1	L	s
45606912040	M-12	40	12
45606912050		50	
45606912060		60	
45606912070		70	
45606914050	M-14	50	14
45606914060		60	
45606914070		70	
45606916060	M-16	60	17
45606916070		70	
45606920060	M-20	60	22
45606920080		80	